

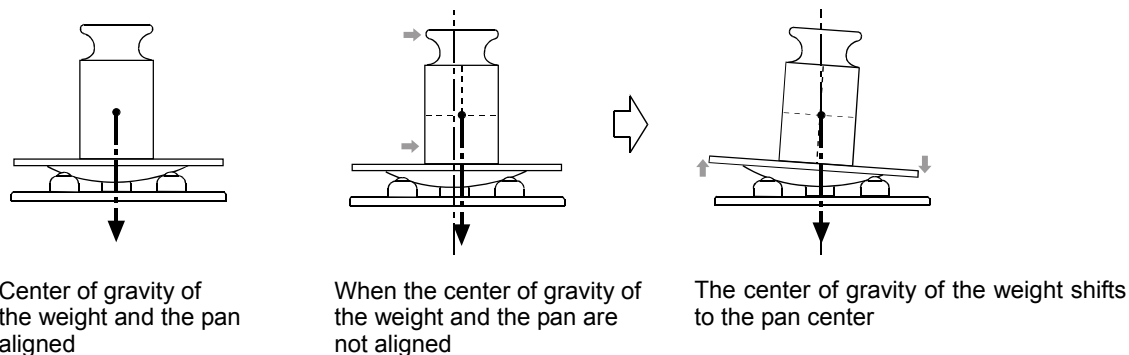
Auto-Centering Pan (AX-MC1000PAN / MC6100PAN) Instruction Manual

Read this manual thoroughly before using the auto-centering pan and keep it at hand for future reference.

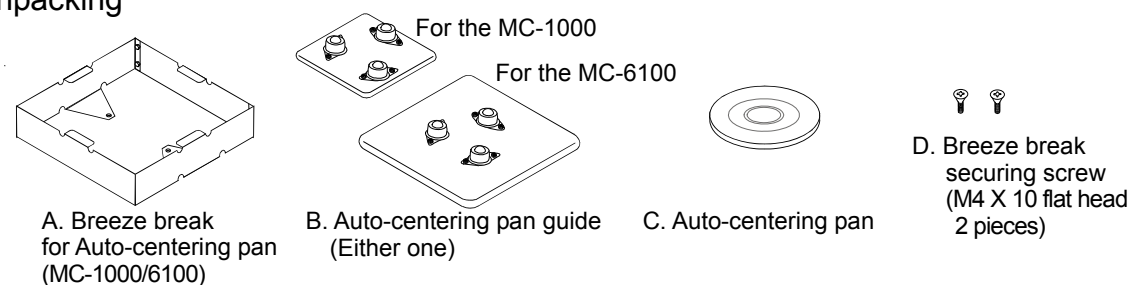
1. Introduction

The auto-centering pans are used with the MC series Mass Comparator Balances, the AX-MC1000PAN with the MC-1000 and the MC6100PAN with the MC-6100. The balance can achieve more precise weighing, by using the auto-centering pan, which aligns the center of gravity of the material being weighed (a weight) with the pan center automatically and reduces eccentric loading errors.

The breeze break provided with this option, when attached, reduces the influence of drafts.

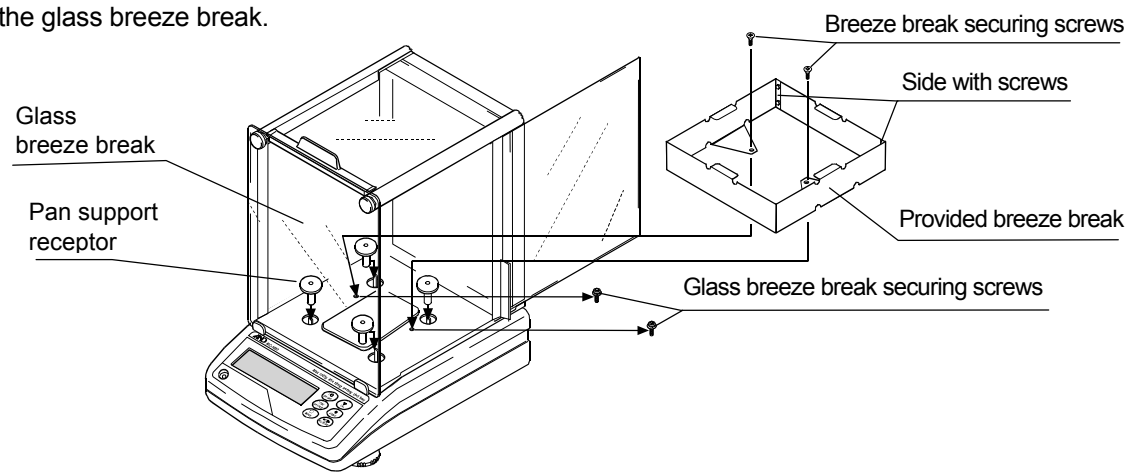


2. Unpacking

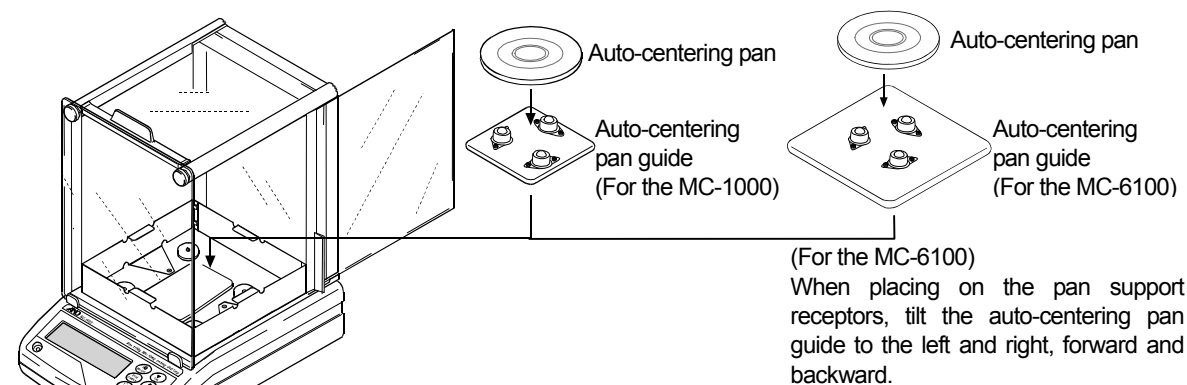


3. Installation procedure

1. With the side of the breeze break with the screws to the back, secure the provided breeze break (A) to the balance, using the breeze break securing screws (D), in place of the screws that secured the glass breeze break.



2. Place the auto-centering pan guide on the pan support receptors, and then place the auto-centering pan on the guide.



Note: When replacing the weighing pan with the auto-centering pan, be sure to calibrate the balance before weighing, because the two pans are different in weight.

4. Precautions on using the auto-centering pan

- Do not place a weight on the edge of the auto-centering pan. The auto-centering pan may touch the breeze break and cause the weight to fall, or the center of gravity of the weight may not shift to the pan center and causes a weighing error.
- Place a weight on the auto-centering pan gently. Dropping a weight onto the auto-centering pan, may damage to the surface of the pan where it contacts the auto-centering pan guide bearings, affecting smooth centering of the pan.

A&D Company, Limited

3-23-14 Higashi-Ikebukuro, Toshima-ku, Tokyo 170-0013 JAPAN
Telephone: [81] (3) 5391-6132 Fax: [81] (3) 5391-6148