

Model type:  
**WDN2296XWU**

Commercial code:  
**F008380**  
**F014816**

## General notes

### Technical Documentation guidelines

---

---

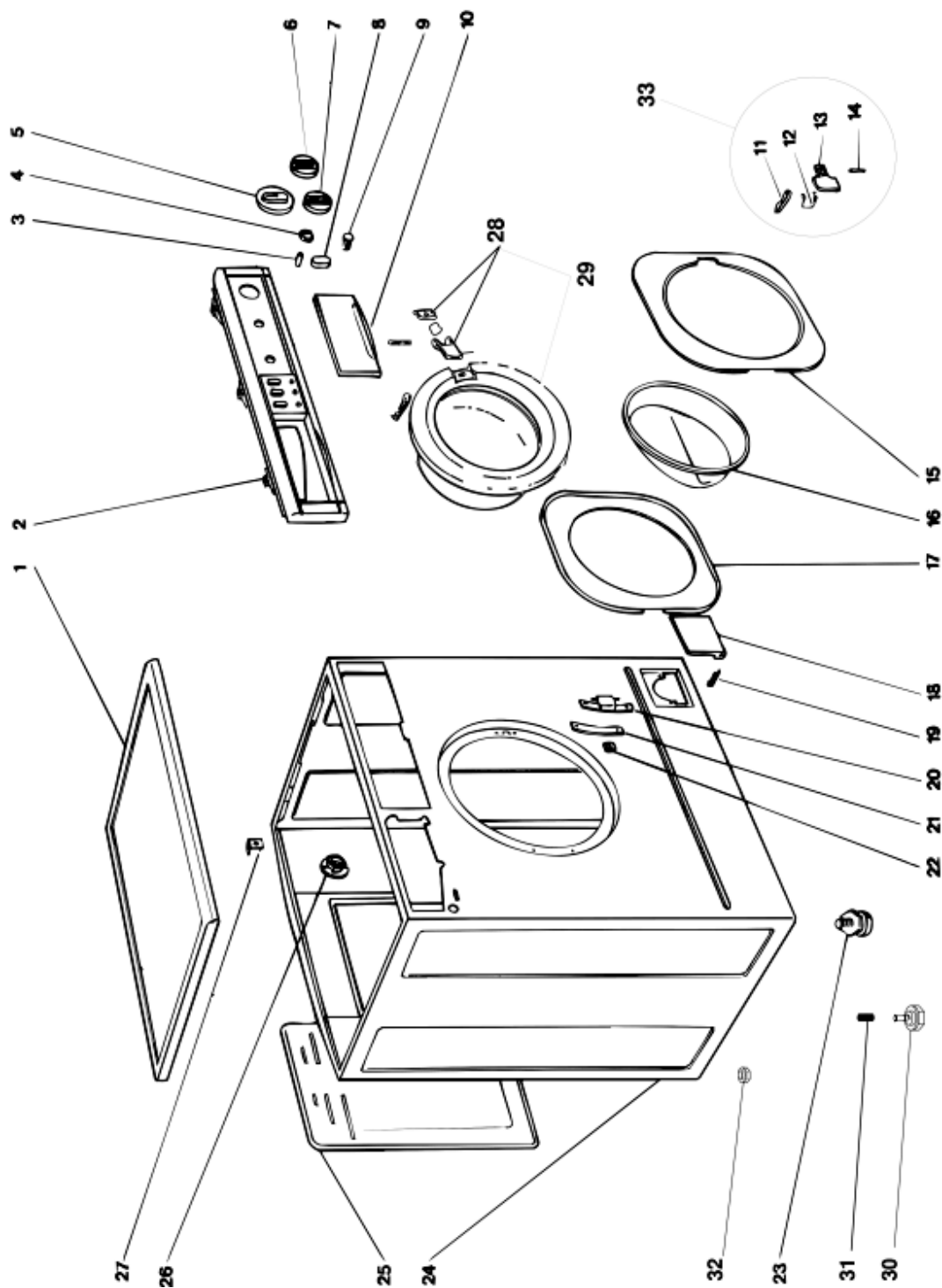
You can find herewith some generic information to simplify consulting of technical documentation:

1. Models of same range share the same exploded views, which report the richest set of spare parts: generally, a model does not necessarily have a related spare part for each particular shown on exploded views.
2. Some spare parts can not be represented directly on the exploded views (instruction booklets, specific kit, etc...). You can find those codes in the spare parts list with the same reference of particular where spares are installed or with references 099, 999. Instruction booklets, once managed, appear with 000 reference.
3. On the higher right site of each exploded view there is a serial number which indicates the beginning of the production of certain range: some models might have more than an exploded view for a given category, each distinguished by a different serial no. and linked to another spare parts list, In this case, serial no. is required to supply the right spare part code. Exploded view to be considered is the one with a more recent serial no. but previous than the one of the model that needs assistance.
4. Exploded views might require further updates even after publishing. Addition of new spares will go on following the already existing numeration references. Revision number of an exploded view is shown into last four digits of serial number into upper right hand corner.
5. The spare parts list associated to an exploded view shows related codes of spares managed for a certain model; for each spare part other informations are available:  
  
REF: reference no of spare into a table; SUBSTITUTE: list of spare(s) which can replace a code but that keeps same functional characteristics  
  
INDUSTRIAL CODE: list of variables of a model (shown into model label) where such spare is used; NOTICE: code of information(s) to refer to complete technical intervention, track for changes or to find correct spare part code.
6. Some notices, into a same section are generic therefore cannot be directly linked to a spare part. In order to assist a model in the best way as possible, it is helpful to pay attention to all notices and constantly verify documentation updates
7. Technical documentation cover shows model name and its commercial codes

1120120

Exploded views

110120



1120120

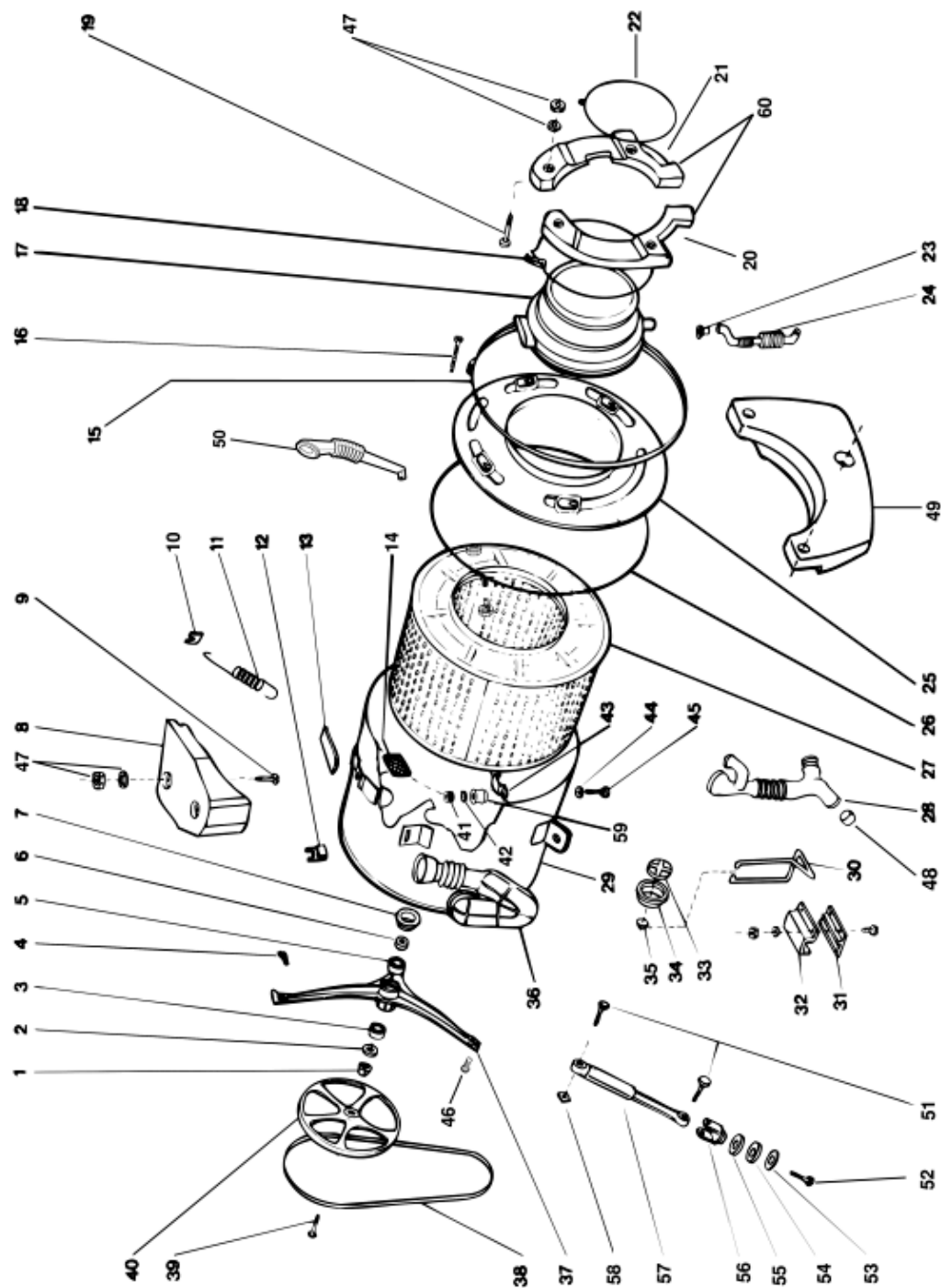
Spare parts list

Ref.	Code	С сер.№	По	Substitute	Description	Notice	Industrial
000	C00044698				user instructions booklet		
000	C00047920				user instructions booklet russian		
001	C00010923				top cover clamp		
001	C00035760				верхняя панель, белая 27		
002	C00044697				панель управления + ручка		
005	C00035761				ручка таймера белая 26		
006	C00035762				ручка таймера b26		
007	C00037300				ручка рег-ки температуры,		
008	C00035758				кнопка белая 27		
011	C00023823				выступ смотр.окна e esop.		
012	C00035770				пружина ручки		
013	C00035766				белая ручка смотрового окна 27		
014	C00003044				штырь рукоятки		
015	C00035765				рамка белого смотр. окна 27		
016	C00021880				стекло смотр. окна x cd e wd		
017	C00035767				рамка смотр.окна		
018	C00035754				крышка фильтра, белая 26		
019	C00035814				пружина дверцы отсека фильтра		
020	C00035764				петля смотрового окна	0112047	
021	C00035763			1 x C00035764	spacer for hinge	0112047	
022	C00035769				шарнир.пластинка	0112047	
023	C00027096			1 x C00053986 1 x C00056928	ножка в сборе (70907)		
024	C00035755				корпус белый 27	0112130	
025	C00019664				gear cover - white		
026	C00020664				зажим сливного шланга		

1120220

Exploded views

Matr. 10731.0008



1120220

1120220

Spare parts list

Ref.	Code	С сер.№	По	Substitute	Description	Notice	Industrial
001	C00022335				втулка шкива 800 об	0112051	
002	C00026305				шайба втулки шкива	0112051	
002	C00039670				шайба для шкива 1000 g (21106)	0112051	
003	C00044765				подшипник 6206-2z	0112051	
005	C00013563				подшипник 25 x52 x 15 6205 -	0112051	
005	C00026298				подшипник ba2b 633667	0112051	
005	C00026299				стопорное кольцо sb 60x1,5	0112051	
006	C00035819				уплотнительное кольцо v4-349	0112051	
006	C00044764			1 x C00082696	standard oil seal 1100/1200 gpm	0112051	
008	C00032867				противовес верхний		
010	C00019675				кольцо зажимное пружины		
011	C00029165				пружина желт.ванны l= 135mm		
012	C00019667				пластинка крестовины		
013	C00025208				прокладка губчатая		
014	C00019716				seal'for element clamp'		
014	C00032849				фильтр		
015	C00003018				clamping band tank front		
016	C00023840				винт m6 x 80 для главного		
017	C00035772				прокладка смотрового окна		
018	C00036780				кольцо крепежное заднее geaz		
019	C00036952				винт m 8 x 45		
020	C00032866			1 x C00045236	front counterweight left		
021	C00032865			1 x C00045236	front counterweight right		
022	C00032708				plastic insert nut - case front		
022	C00033041				зажим передний 856 mm		
025	C00033090				нерж.крышка ванны 4 скобы		
026	C00020941				прокладка нерж.крышки ванны		
027	C00035817				корзина, крестовина с герм.	0112051	
027	C00045083				барабан с уплотнит. кольцами	0112051	
028	C00027990				зажим 78-85		
028	C00035773				сильфон слива		
029	C00037455				нерж.ванна str. 39		
030	C00019696				рессора		
031	C00019676				опора рессоры		
032	C00019666				скоба рессоры		

1120220

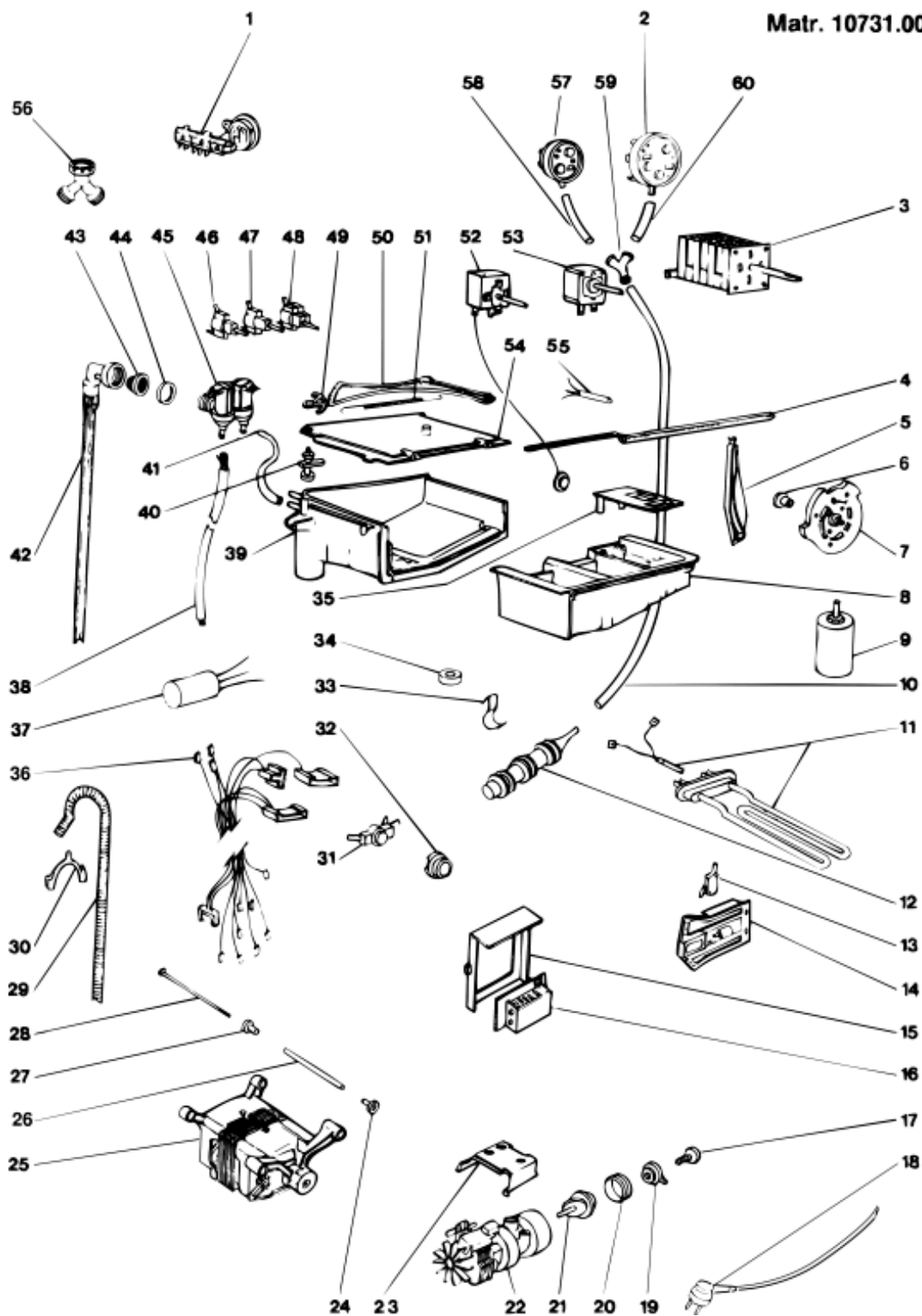
Spare parts list

Ref.	Code	С сер.№	По	Substitute	Description	Notice	Industrial
033	C00003036			1 x C00029588	феродо		
034	C00003034			1 x C00029588	комплект ползуна		
035	C00019677				шаровой шарнир		
036	C00027492				сильфон загрузки	0112092	
036	C00052946				сильфон загрузки		
037	C00018018			1 x C00038358	bolt m8 x 18 te (dry loc)		
037	C00035820			1 x C00057023	bearing spider assembly std oil	0112051	
037	C00044763				крестовина с уплотнит.	0112051 n1040034	
038	C00029794				ремень poly-v l= 1194 mm		
039	C00019802				винт крепления ведомого шкива	0112051	
039	C00039671				винт крепления ведомого	0112051	
040	C00022458				ведомый шкив 1000g. (50705)	0112051	
040	C00044768				ведомый шкив	0112051	
041	C00037135				гайка самоблокирующаяся m4		
042	C00037142			1 x C00037132	washer 4x12x1 stainless		
043	C00037083			1 x C00037177	heater bracket		
044	C00037133			1 x C00037132	seal		
045	C00037132				винт + шайба m4x12 tmt из	n1040300	
059	C00058523				комплект направл. сопротивл.		

1120320

Exploded views

Matr. 10731.0002





1120320

Spare parts list

Ref.	Code	С сер.№	По	Substitute	Description	Notice	Industrial
001	C00029204				terminal block box elettrogibi	0112130	
002	C00031084			1 x C00034283	реле давления 2 ур.		
002	C00035775				реле давления 2 ур.+ против		
003	C00033059				таймер eaton ec 4254.02		
004	C00035815				metal operating rod		
005	C00023848				элемент ведомый кулачка		
006	C00031082				втулка стопорная кулачка,		
007	C00031495				кулачок распределителя elbi		
008	C00031870				ящичек для моющего средства		
008	C00046423				ящик моющего средства (50410)		
010	C00019731				шланг реле давления 600mm.		
011	C00033055				сопротивл. с тепловым		
012	C00019730				воздухоуловитель		
014	C00021826			1 x C00011140	thermal interlock (replaces		
014	C00031452				microswitch holder texas		
015	C00021684				bracket for module		
016	C00033056			1 x C00032851	аналоговый модуль 1000-1200		
017	C00043738				винт рукоятки фильтра		
018	C00022357			1 x C00024521	supply cable 3x1 schuko l= 2,70 m		
019	C00034495			1 x C00035778	ручка фильтра		
020	C00034496				прокладка фильтра		
021	C00034494			2 x C00103447	filter element plaset		
022	C00036859				сливной насос 220/230 в		
024	C00019682				втулка держателя двигателя, 20		
025	C00025295			1 x C00031602	brush for commutator motor		
025	C00028594				тахогенератор для		
025	C00028595			1 x C00194594	щетка коллект.		
025	C00029793			1 x C00046626	motor 1100/1200 rpm		
025	C00035289			1 x C00043430	tacho for motor ice		
025	C00035290			1 x C00196540	щетка электродвигателя		
025	C00043430			1 x C00097257	тахометр двиг.ice 16p		
025	C00046626				коллекторный	n1040258	
026	C00019965				распорка двигателя		
028	C00019964				винт двигателя m6 x 212te		
029	C00027466				спир.сливной шланг с коленом	0112130	

1120320

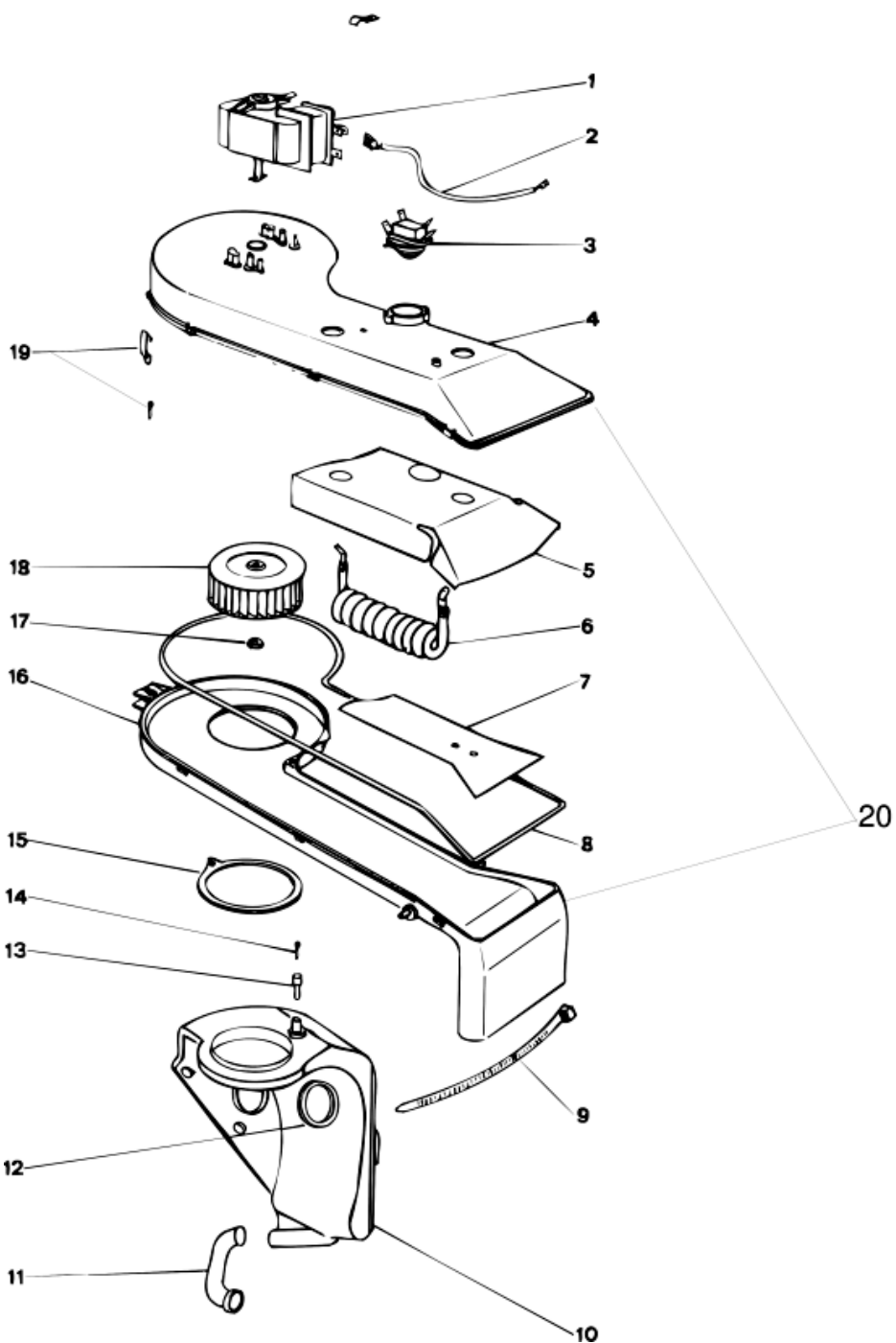
Spare parts list

Ref.	Code	С сер.№	По	Substitute	Description	Notice	Industrial
030	C00019902				опора спиральн. сливн. шланга		
031	C00015858				термостат 1t 40 с на		
032	C00014917				прокладка термостата		
033	C00020025				air trap clip		
034	C00019755				устройство вибропоглощающее		
035	C00031871				additive cover		
035	C00044800				крышка для добавок giugiato		
036	C00037301			1 x C00051314	wiring+timer eaton ec 4254.02		
036	C00051314				wiring+timer eaton ec 4254.02		
037	C00026359				шумопоглощающ.		
038	C00033078				шланг электр. клапана		
039	C00019733				hopper		
039	C00046621				бункер + крышка	0112092	
039	C00052945				дозатор alc-wgd (с/н 70224)		
040	C00021662				dispenser cold water		
041	C00015498				шланг для горячей воды l=600		
042	C00003070				залив.шланг 1500 mm		
043	C00005781				фильтр заливочного шланга		
044	C00005572				прокладка заливочного шланга		
045	C00021864				двойной электроклапан 10lt.		
046	C00030358				зам.-разм. выключатель вкл-		
047	C00030357				выключатель-переключатель		
049	C00028569				шестерня промежуточная		
050	C00028568				шестерня промежуточная		
051	C00019708				пружина дозатора		
052	C00019650				регулируемый термостат		
052	C00033058				регулируемый термостат		
053	C00032173				таймер		
054	C00020878				крышка бункера hc		
054	C00044858			1 x C00020878	dispenser top		
055	C00019749				лампочка сигнальная		
056	C00009416				тройник для заливки воды		
057	C00037856				реле давления 1-уровн.		

1120420

Exploded views

Matr. 10731.0002



1120420

Spare parts list

Ref.	Code	С сер.№	По	Substitute	Description	Notice	Industrial
001	C00032859				электродвиг.вентил.230 в 50 гц.	0112092 0112102	
001	C00052947			1 x C00056344	motor blower 230v. 50hz. (s/n	0112102	
001	C00056028				винт torx m4 x 46 bz	0112092 0112102	
001	C00056344				двиг.вентилят. 230 в 50 гц	0112092 0112102	
002	C00032843				провод тепл.предохранителя		
003	C00032861				термостат 2tt nc 125/85		
004	C00032854			1 x C00054789	blower manifold top	0112102	
006	C00032858			1 x C00080765	сопротивление 1000 вт/230 в		
008	C00032847				прокладка нагнетателя		
009	C00033210				зажим fastex 350 mm x 7.8 mm		
010	C00035779				конденсатор		
011	C00032862				hose - condenser / tank		
012	C00032871				прокладка конденсатор/бак		
013	C00032845				гнездо регулятора		
014	C00032846				регулятор (0,45 lt./1)		
015	C00032844			1 x C00255433	прокладка конденсатора		
016	C00032855			1 x C00054789	blower manifold - lower	0112102	
017	C00032972				крепежная гайка крыльчатки		
018	C00021885				вентилятор x cd		
019	C00032856				пружина для сборки нагнетателя	0112102	
019	C00054790				винт 3-секц. m5 x 16	0112102	
020	C00054789				корпус нагнетателя	0112102	

## Notices

### 0112047: INCREASED THICKNESS OF DOOR HINGE

---

As from serial number 41111.0001 the thickness of the door hinge code 035764 was increased from 3 to 6 mm on the washing machines and the washer dryers produced in the Comunanza factory. This modification has involved the elimination of the spacer for hinge code 035763 which will be supplied whilst stocks last, after this the modified hinge will be supplied. When using the modified hinge instead of the pre-modification one, two hinge plates part no. 035769 have to be used.

### 0112051: MECHANICAL PARTS FOR DOUBLE BEARING ON 1100 RPM STRUCTURE.39

---

As from serial number 50221.0001 the one-bearing mechanisms have been replaced with two-bearing mechanisms on all 1100 rpm washers and washer dryers manufactured by the Comunanza factory.

The new mechanisms have involved the use of the following parts:

Code 045083 - Inner drum assembly 1000 rpm;  
Code 044763 - Bearing spider assembly 1000/1200 rpm;  
Code 044764 - 1000/1200 rpm O-ring;  
Code 044765 - Bearing 6206-2Z;  
Code 013563 - Bearing 6205-2Z;  
Code 044768 - 1100/1200 rpm drum pulley;  
Code 039671 - Drum pulley bolt;  
Code 039670 - Pulley washer.

These parts are not individually interchangeable with the premodification parts but are interchangeable as a unit.

### 0112092: HERMETICALLY SEALED BLOWER UNIT

---

Beginning with serial number 70908.0001 for washer-dryers

WDN867WF and WDN2296XWU the following components have been used to hermetically seal the blower group and prevent the leakage of soap suds due to the excessive formation of foam.

Code 052946 - Dispenser-Tank Hose + breather hole;  
Code 052947 - Fan motor with rubber gasket;  
Code 032854 - Upper blower body;

Code 052945 - Dispenser + Lid;

On the top part of the blower group, the breather hole was closed on the inside of the small cylinder extending from the top surface. The new component is interchangeable with the pre-modification part by re-opening the breather hole with a 6 mm drill bit (in order to avoid pressure build-up), it retains the same SAT code: 032854.

## 0112102: MODIFIED BLOWER BODIES AND FAN MOTOR

---

Beginning with serial no. 71222.0001, the top and bottom blower casings are now being made of aluminium, instead of zamak, and are used on all washer-dryers. In addition, a new fan motor is being used secured with four fastening screws.

The assembly of the two new blower bodies (part no. 054789) is done using seven torx screws (part no. 054790) instead of the clamps (part no. 032856).

Therefore, the individual parts are not interchangeable with the pre-modification ones.

However, the blowers are interchangeable if they are already assembled and the new fan motor is used.

Until all of the stock has been used, the kit will include the blower units made of zamak, secured with fastening clips.

The new fan motor (part no. 056344) fastened now with four screws (part no. 056028) can be used in place of the pre-modification motor, but not vice versa.

The motor (part no. 052947) will be handled as a spare part until all of the stock is used up.

## 0112130:

---

Beginning with serial no. 80825.0001 on the Giugiaro washing machines and washer dryers, (WG and WDG), the rear cover, outlet hose, terminal block and cushion frame cabinet have been changed.

The items subjected to new modifications are:-

Cod. 049515 Rear cover;

Cod. 058651 Outlet hose;

Cod. 041163 Terminal block.

The modified cabinet keeps the same SAT code as the pre-modification ones(045221), and in order to maintain the same interchangeability, it is handled assembled with rear panel and terminal block.

## n1040034: New aluminium tub in replacement of cast-iron tub

---

Beginning from serial no. 90412.0001 the cast-iron tub star wheel code 044763 will be produced in aluminium in the washing machines and washer-dryers.

The new star wheel is interchangeable with the premodification one and the SAT code remains unchanged.

In order to avoid any balancing problem of the oscillating group when the aluminium star wheel replaces the cast-iron star wheel, it is necessary to move the position of the tub springs forward by one step (rear part in the cabinet and front part in the tub bracket).

