

Superwinch Ltd  
Abbey Rise  
Tavistock  
Devon P19 9DR  
England

Tel: +44 (0) 1822 614101  
Fax: +44 (0) 1822 615204  
Email: sales@superwinch.net

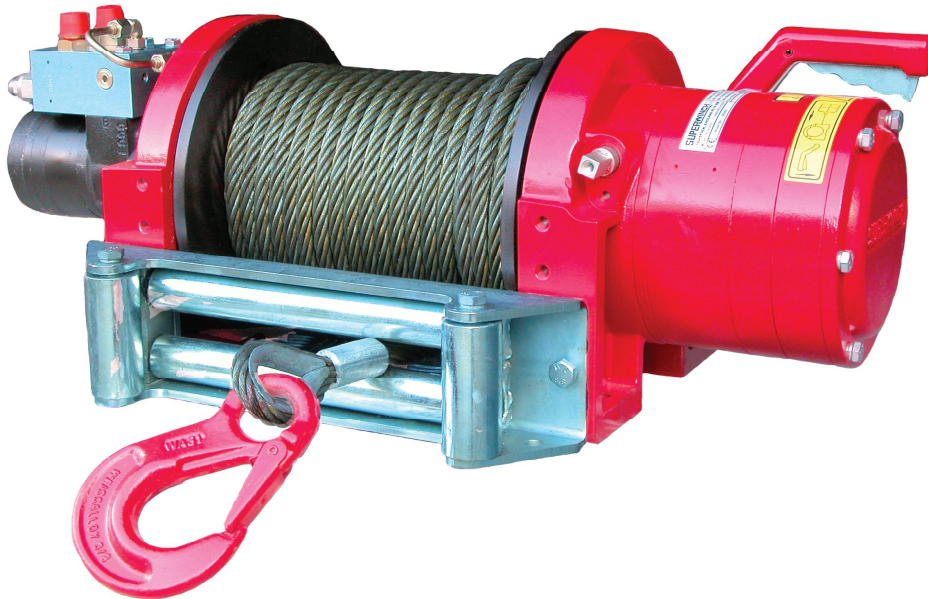


Superwinch Inc  
Winch Drive  
Putnam  
Connecticut 06260  
USA

Tel: 1 860 928 7787  
Fax: 1 860 928 1143  
Email: info@superwinch.com

## H12 /14P, HEAVY DUTY HYDRAULIC WINCH

The Superwinch H12P/H14P – from the UK's largest winch producer, a rugged, heavy duty, high quality 5,450 / 6,350 kg planetary drive hydraulic winch range, engineered to ensure total reliability. Designed to fill the professional Vehicle Recovery & Plant Operators need for a dependable, heavy duty unit for a wide range of applications.



Winch shown for illustration purposes only

## Outstanding Features

- Winch** – Robust construction, engineered to meet J706 standards.
- Gearbox** – High efficiency 2 stage planetary giving optimum reliability.
- Brake** – Integral, spring applied, hydraulic released, full load holding.
- Motor** – Rugged, high torque, low speed unit of proven reliability.
- Free Spooling** – Interlocked, manual lever for rapid rope pay-out, pneumatic option available.
- Drum** – Heavy duty steel, mounted on maintenance-free plain bearings.
- Load control valve** – Fitted as standard to ensure complete load control.
- Testing** – All winches are load tested before shipping.

**SUPERWINCH**

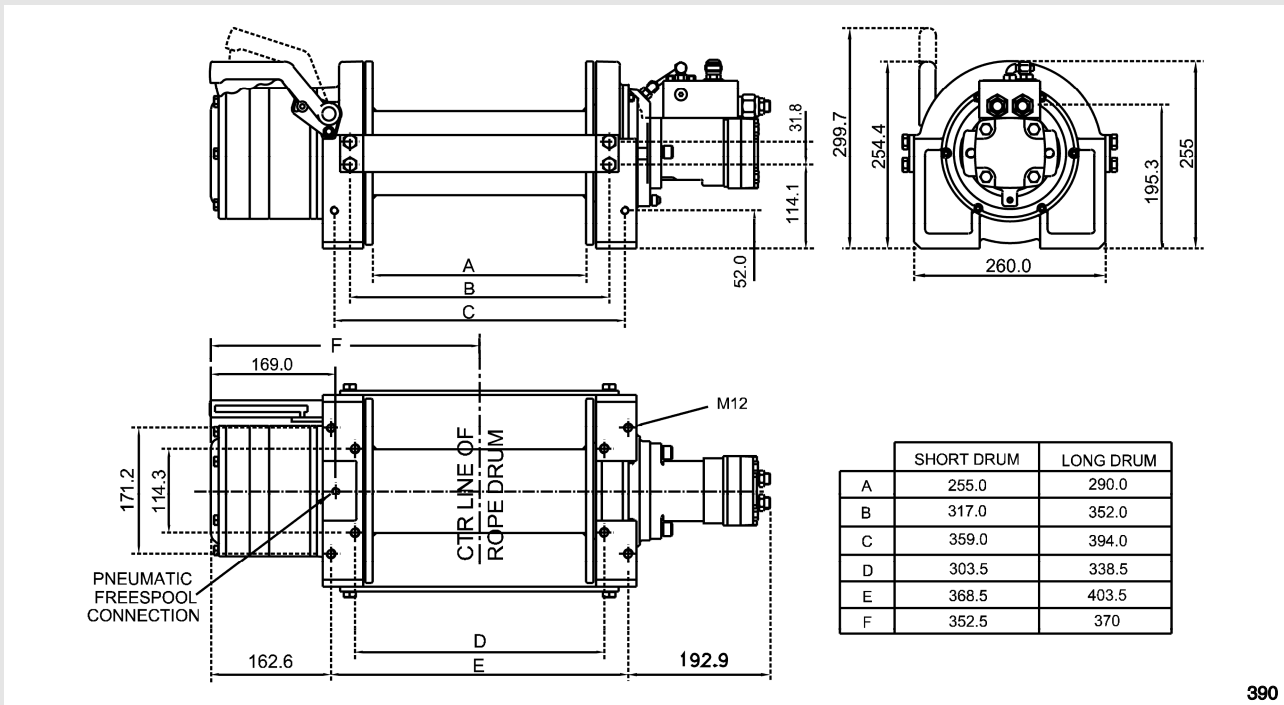
The Superwinch H12P / H14P, hydraulic, planetary drive winch range are available in short, or long drum configuration, with manual freespool, (pneumatic freespool available), please contact your distributor or Superwinch for details.

## WINCH

	Part No	
	Short Drum	Long Drum
H12P, Manual Freespool	5320S	5321S
H12P, Pneumatic Freespool	5322S	5323S
H14P, Manual Freespool	5330S	5331S
H14P, Pneumatic Freespool	5332S	5333S

## OPTIONAL ACCESSORIES

	Part No	
	Short Drum	Long Drum
Roller Fairlead	5610	5620
Cable Tensioner	5637	5670
Flatbed Mount Plate	5684	
Wire Rope, 12 mm x 30 m	0568	
Wire Rope, 12 mm x 38 m	0583	
Wire Rope, 13 mm x 30 m	0584	



390

## SPECIFICATION

	H12P	H14P
Rated Line Pull, Bottom Layer	53.3 kN, (5,450 kg)	62.3 kN, (6,350 kg)
Line Speed, Bottom Layer, No Load	10.6 m/min	8.4 m/min
Rope Diameter, Recommended	12 mm	13 mm
Rope Length, Short Drum	30 m	30 m
Rope Length, Long Drum	40 m	40 m
Drum Diameter	102 mm	114 mm
Weight	61 kg	61 kg

## PERFORMANCE

	H12P	H14P
Maximum Oil Pressure	150 bar, (2200 psi)	150 bar, (2200 psi)
Maximum Oil Flow	57 l/min	57 l/min
Line Pull, 2nd Layer	44.1 kN, (4,500 kg)	51.7 kN, (5,280 kg)
Line Pull, 3rd Layer	37.5 kN, (3,830 kg)	44.2 kN, (4,520 kg)
Line Pull, 4th Layer	32.7 kN, (3,340 kg)	38.6 kN, (3,940 kg)

The Superwinch H12P & H14P range are designed and manufactured in the UK



Design, Materials and specifications are subject to change without notice. Superwinch are not responsible for printing errors inadvertently made in the production of this brochure.

Superwinch Ltd. Abbey Rise, Tavistock, Devon. PL19 9DR. Tel: 44 (0) 1822-614101. Fax: 44 (0) 1822-615204. e-mail: sales@superwinch.net