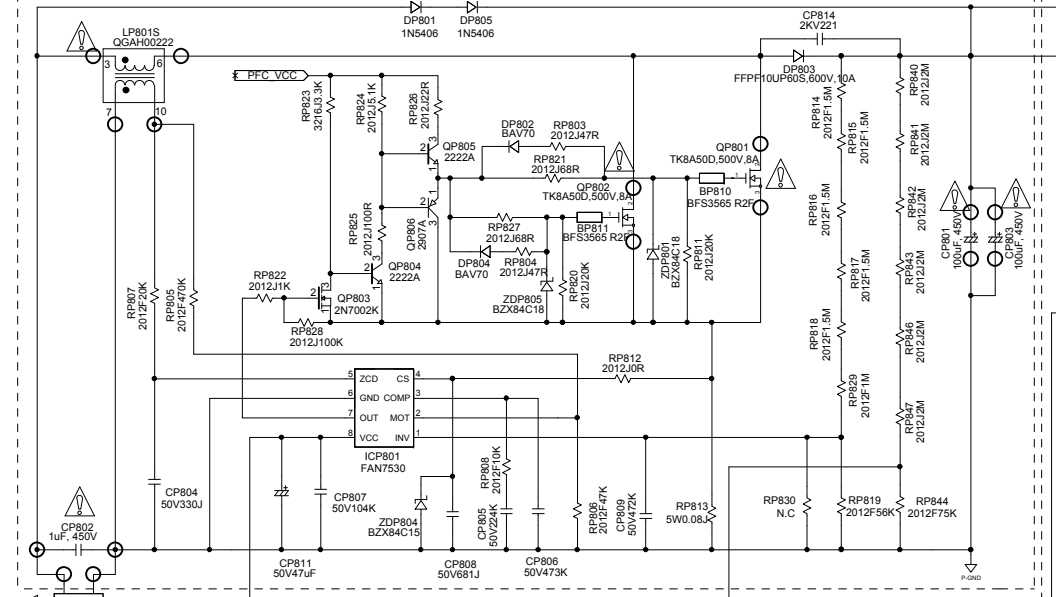
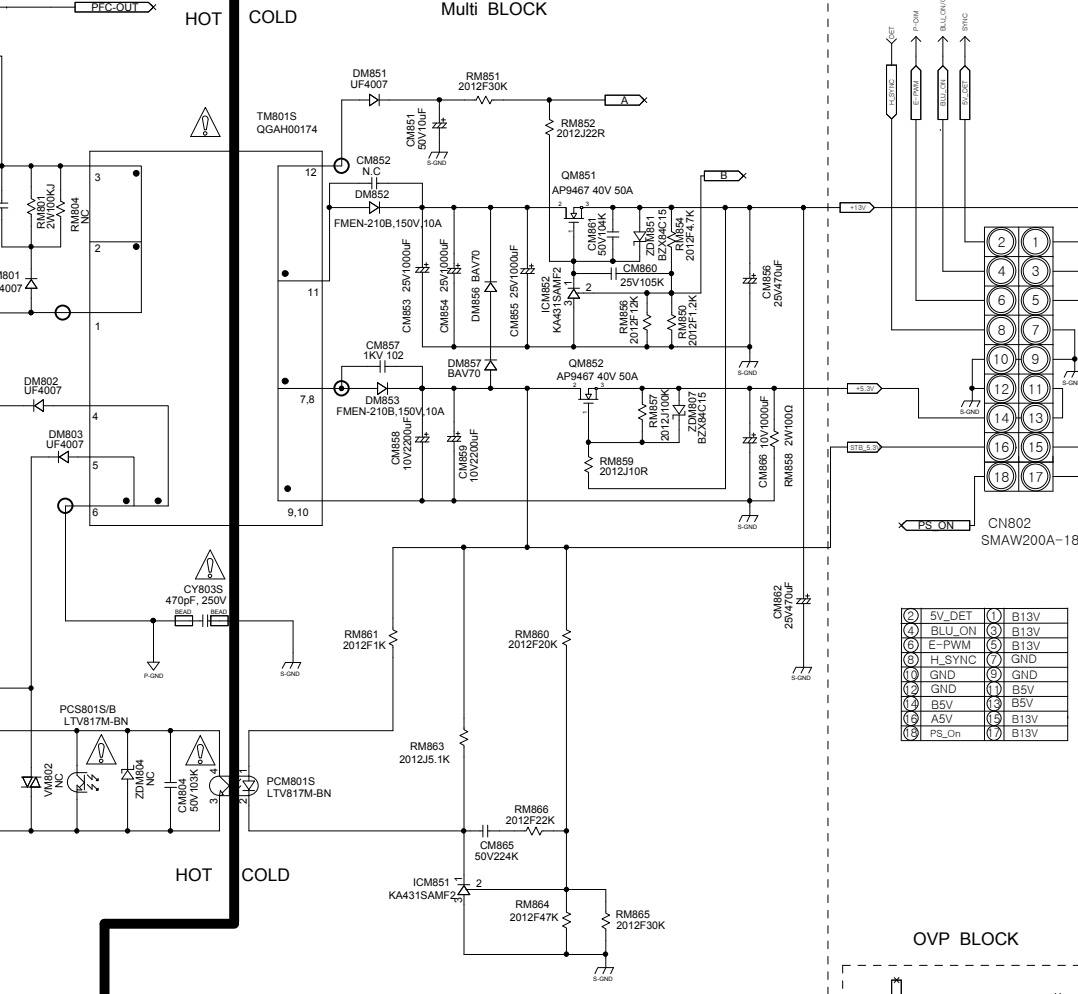


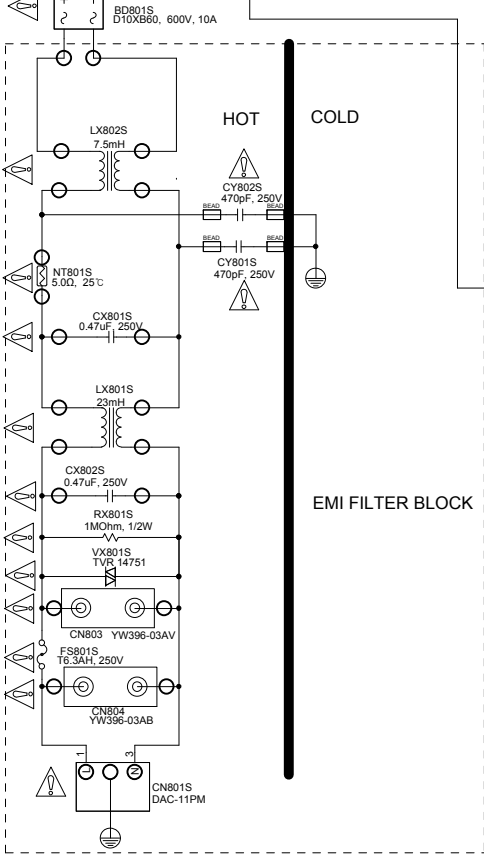
PFC BLOCK



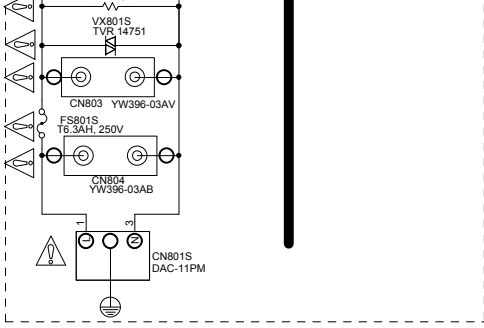
Multi BLOCK



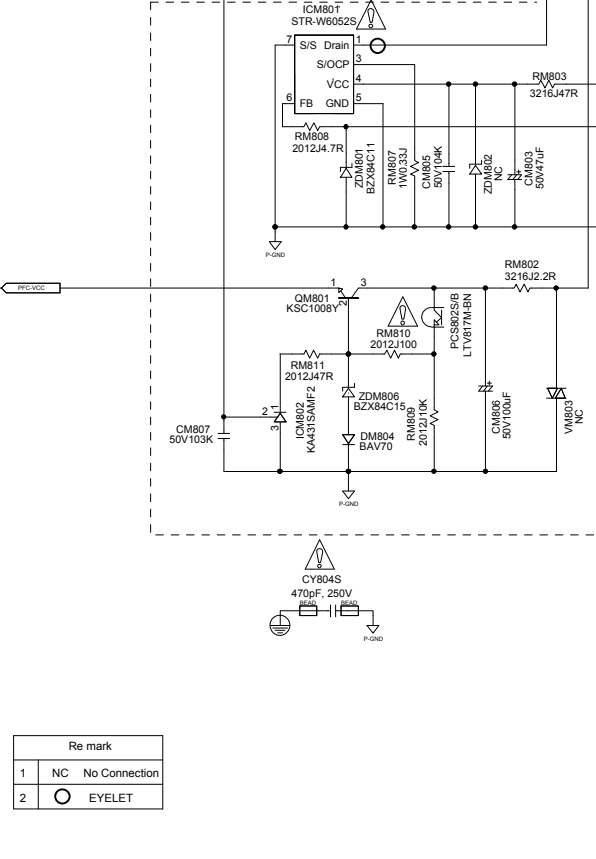
HOT COLD



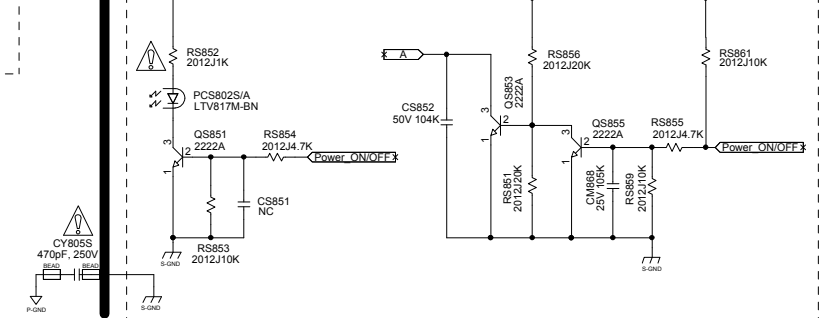
EMI FILTER BLOCK



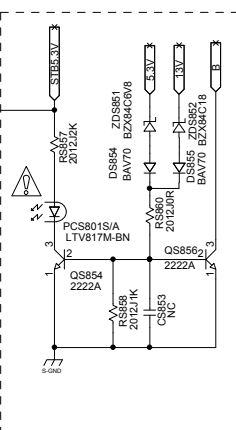
HOT COLD



Remote ON/OFF BLOCK



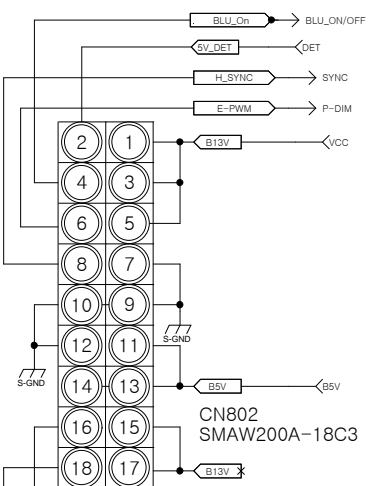
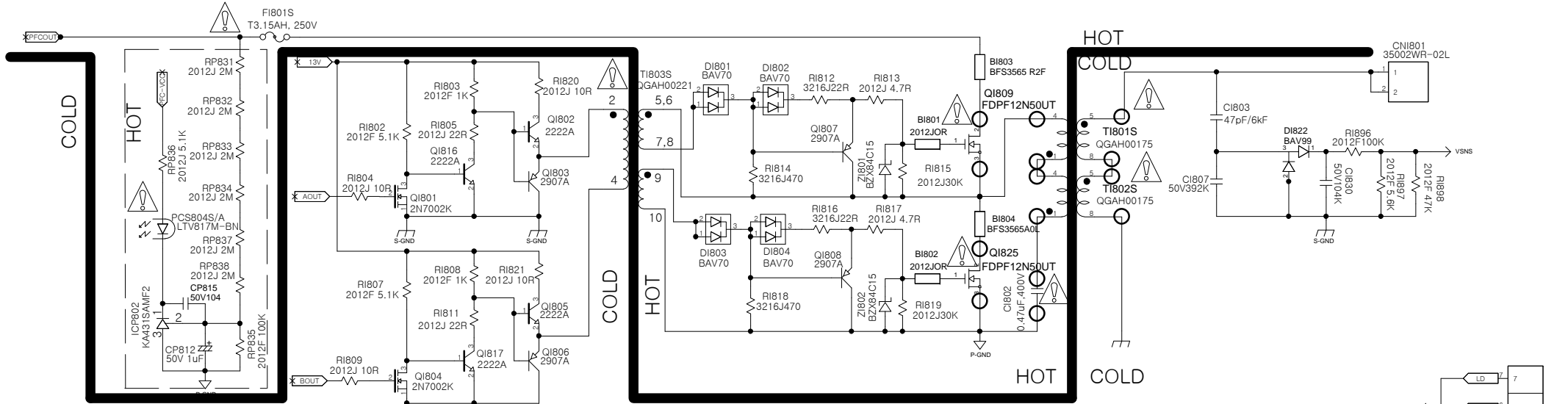
OVP BLOCK



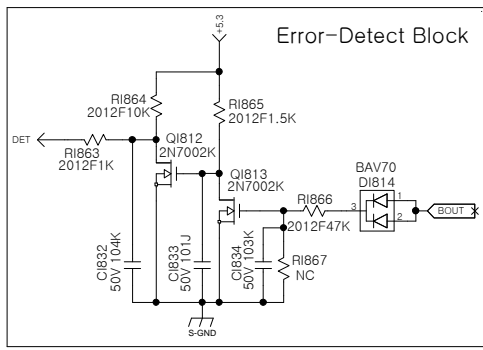
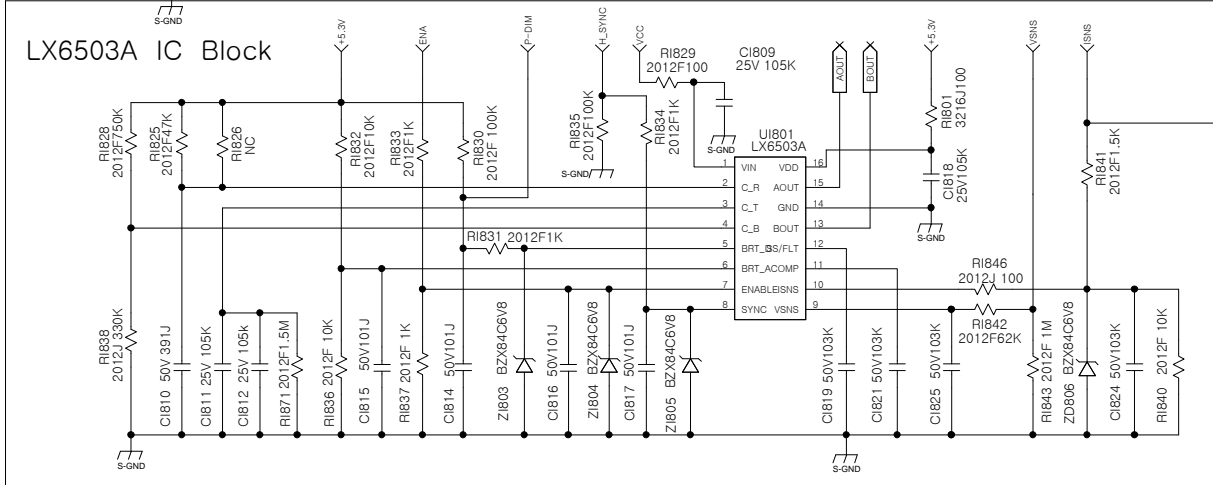
②	5V_DET	①	B13V
③	BLU_ON	②	B13V
④	E_PWM	③	B13V
⑤	H_SYNC	④	GND
⑥	GND	⑤	GND
⑦	GND	⑥	B5V
⑧	B5V	⑦	B5V
⑨	A5V	⑧	B13V
⑩	Ps_ON	⑨	B13V

Re mark

1	NC	No Connection
2	○	EYELET

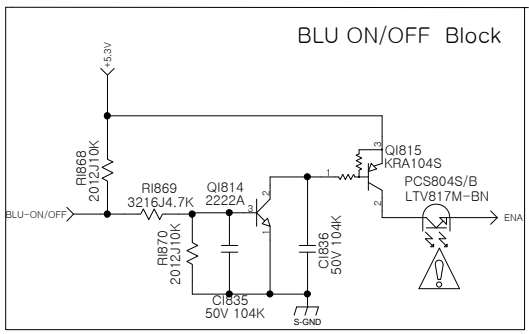
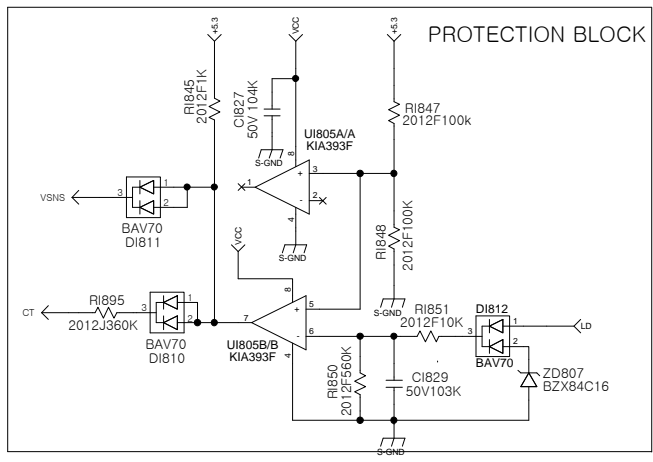


2	5V_DET	1	B13V
4	BLU_ON	3	B13V
6	E-PWM	5	B13V
8	H_SYNC	7	GND
10	GND	9	GND
12	GND	11	B5V
14	B5V	13	B5V
16	A5V	15	B13V
18	PowerOn/Off	17	B13V



Re mark

1	NC	No Connection
2	○	EYELET



Title		I40F1_ADY		Note2010.04.08	
Size	DOC NO.	Revision			
A3	{DOCNO}	REV1.2			
TITLE	10.04.08	{SHNO}			