

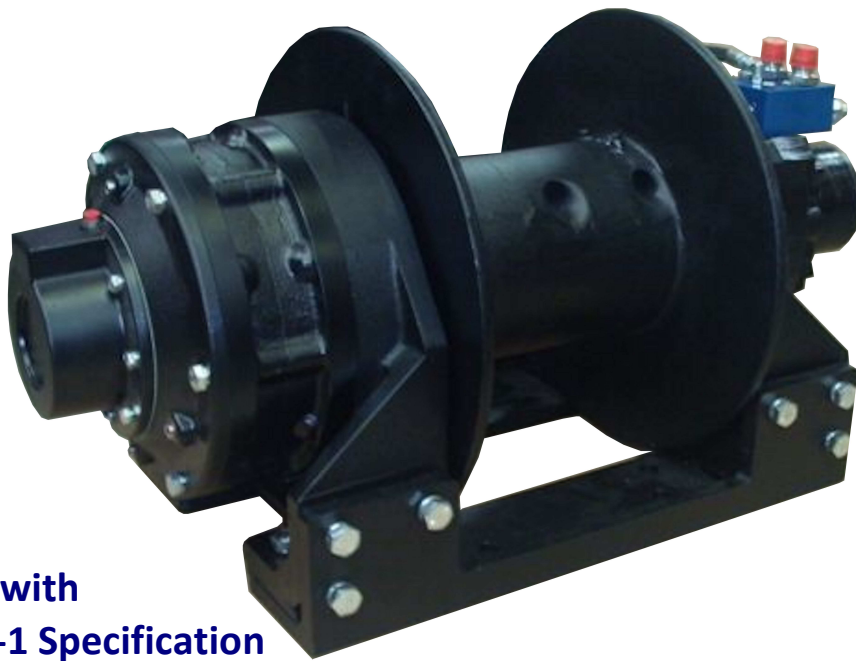
H45PRO

HEAVY DUTY HYDRAULIC WINCH



Part No: 654001PRO, Pneumatic Freespool
654002PRO, Manual Freespool
200.12kN,(20,412kg) Single Line Pull

Superwinch Professional winch range



PRO
EN 14492-1

Complies with
EN 14492-1 Specification

PROFESSIONAL WINCH SPECIFICATION

Gear Reduction:	Heavy Duty Planetary gearing for long, reliable life, 36:1.
Drum:	Heavy duty, high capacity cast drum, mounted on heavy duty roller bearings.
Braking:	Heavy-duty multi disc brake unit gives full load holding.
Load Limiting:	Hydraulic system relief valve on vehicle hydraulics.
Rope Drum Cover:	Rope Drum Safety Guard, (Option).
Labelling:	Rating plate showing 1 st layer and top layer figures.

Superwinch Ltd Union Mine Road, Pitts Cleave, Tavistock, Devon. PL19 0NS
Tel: 01822 614101 Fax: 01822 615204 e-mail: sales@superwinch.net



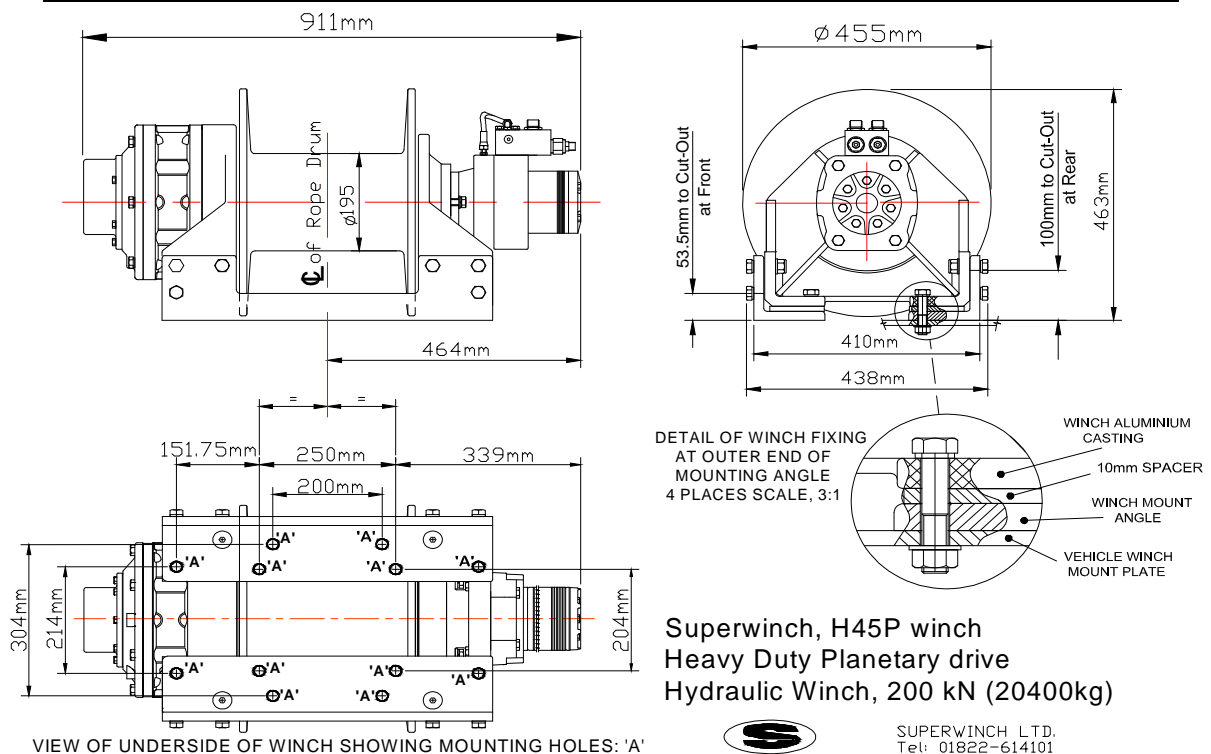
PRO Specification

	H45P
Rated Line Pull, Bottom Layer	200.12kN (20,412 kg)
Line Speed, Bottom Layer No Load	7.36 m/min
Maximum Oil Pressure	207 bar, (3000psi)
Maximum Recommended Oil Flow	95 l/min
Drum Dimensions	195mm dia x 297mm long, 455mm flanges
Rope Diameter, Recommended	20 mm, Compacted, (see NOTE:)
Rope Length, Maximum	60 m
Weight, Excluding Wire Rope	199 kg
Line Pull, 2nd Layer	168.7 kN, (17,210 kg)
Line Pull, 3rd Layer	145.95 kN, (14,885 kg)
Line Pull, 5th Layer, Top	114.9 kN, (11,720 kg)

NOTE: To meet the European / PRO, Standard, the Wire Rope must have a minimum break figure of: 400.25kN (40,825 kg).

The Superwinch H45 PRO, heavy duty hydraulic, planetary drive, winch is available in our standard pneumatic freespool configuration, or with manually operated freespool, please contact your distributor or Superwinch for details.

Description;	Part No:
H45PRO winch, Pneumatic Freespool	654001
H45PRO winch, Manual Freespool	654002
OPTIONAL ACCESSORIES	
Cable Tensioner, Pneumatic	5683
Cable Tensioner, Spring type	254003
Roller Fairlead	254001



Design, materials and specifications are subject to change without notice. Superwinch is not responsible for printing errors inadvertently made in the production of this catalogue. The pictures are for illustrative purposes only and the products and accessories may vary between countries.

Superwinch Ltd. Union Mine Road, Pitts Cleave, Tavistock, Devon. PL19 0NS Tel: 01822 614101 Fax: 01822 615204 Email: sales@superwinch.net